

**sikla**

# Prefabrication Service

with manufacturer's warranty





## Prefabrication service

Prefabricated assemblies offer enormous potential savings and are an indispensable element of modern installation.

We produce clever, customer-specific fastening solutions for building technology and industrial construction. This minimises the assembly work and thus reduces construction time and provides calculation security. Our expansive pre-production depth enables supply of custom, project-specific small series.

Reduced planning time and minimised assembly works are key competitive factors: Prefabricated customer-specific fastening assemblies delivered just-in time to the construction site and ready for installation.

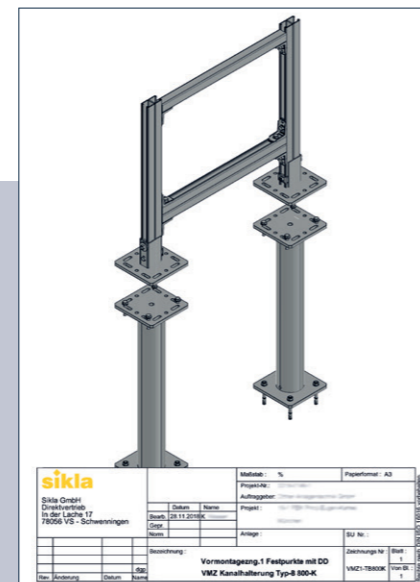
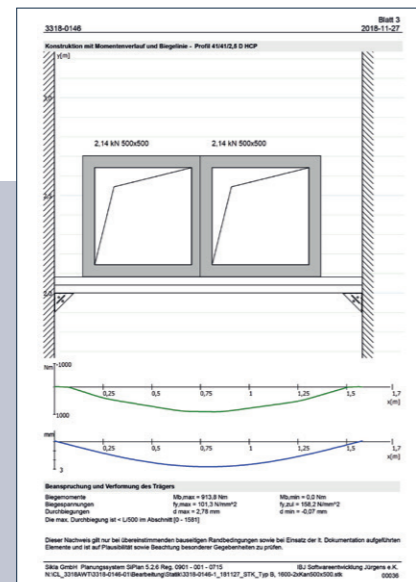
### Your advantages at a glance

- ◆ Simple quotation processing
- ◆ Reduced planning time
- ◆ Minimised assembly work
- ◆ Shorter construction time
- ◆ Efficient relief of technical staff
- ◆ Calculation security with fixed end costs
- ◆ Guarantee with factory prefabrication
- ◆ Just-in-time delivery to the construction site
- ◆ Consistent quality
- ◆ No residual material

**sikla**

3318-0148-01, 16-1 PEK, München  
 Vornurloger Feinpunkthalter mit Dachdurchführung  
 lms@tikla.de  
 Datum: 26.11.2018

Pos.	Artikel	Menge	Einheit	Artikel Nr.	Gewicht
<b>4.0.0 Typ B 1000 / K</b>					
	WSD-Halter C 4141-45 D CO HCP	2	STK	179561	10,32 kg
	M-Sch 4141/2,5 D 6m HCP	2.265	MTR	166749	10,74 kg
	2 Stk. werkseitiger Zuschnitt Lwa. 875mm				
	1 Stk. werkseitiger Zuschnitt Lwa. 815mm				
	M-Sch 4141/2,5 6m HCP	0,915	MTR	161497	2,16 kg
	1 Stk. werkseitiger Zuschnitt Lwa. 815mm				
	Abdeckkappe ADK 4141	4	STK	177669	0,04 kg
	Winkel 90° Stahl HCP (SE)	6	STK	192727	0,71 kg
	Sechskantschraube SKT M12x 25 HCP	12	STK	162366	0,24 kg
	Sechskantschraube NT CO2-M10-HCP	12	STK	162364	0,38 kg
	Sicherungsringe SAL 41	1,28	MTR	101189	0,55 kg
	4 Stk. werkseitiger Zuschnitt Lwa. 320mm				
<b>5.0.0 Typ C</b>					
	Dachdurchführung AM H4650	2	STK	1611730	43,40 kg
	Bolzenanker AN BZ plus 12/15/25/110	8	STK	114147	0,80 kg
	Sechskantschraube SKT M12x 60 HCP	8	STK	164153	0,48 kg
	L-Scheibe LS 12/25 HCP	16	STK	162355	0,16 kg
	Sechskantschraube NT M12 HCP	8	STK	162382	0,08 kg
Gesamtgewicht pro Konstruktion					70,03 kg
Bauteile					1192,56 kg



parts list

structural analysis

CAD Drawing



**sikla**

Sikla Hispania, S.L.U.  
Calle Camelia, 14  
Polígono Industrial Las Mercedes  
28970 Humanes de Madrid  
+34 916 155 785  
clientes.es@sikla.com

[www.sikla.es](http://www.sikla.es)